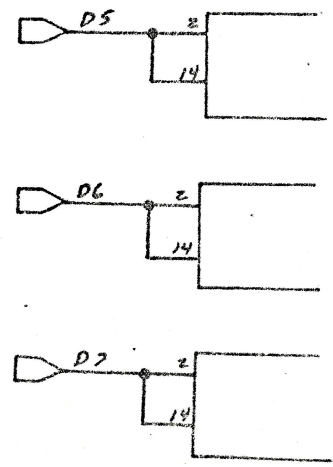


4116's



NOTE: CONNECTIONS GO TO ALL 4116'S.

CONNECTIONS GO TO BALLY 50 PIN EXPANSION CONNECTOR.

POWER CONNECTIONS ON ALL LOGIC CHIPS:

<u>14 PIN</u>	<u>16 PIN</u>
0V → PIN 7	0V → PIN 3
+5V → PIN 14	+5V → PIN 16